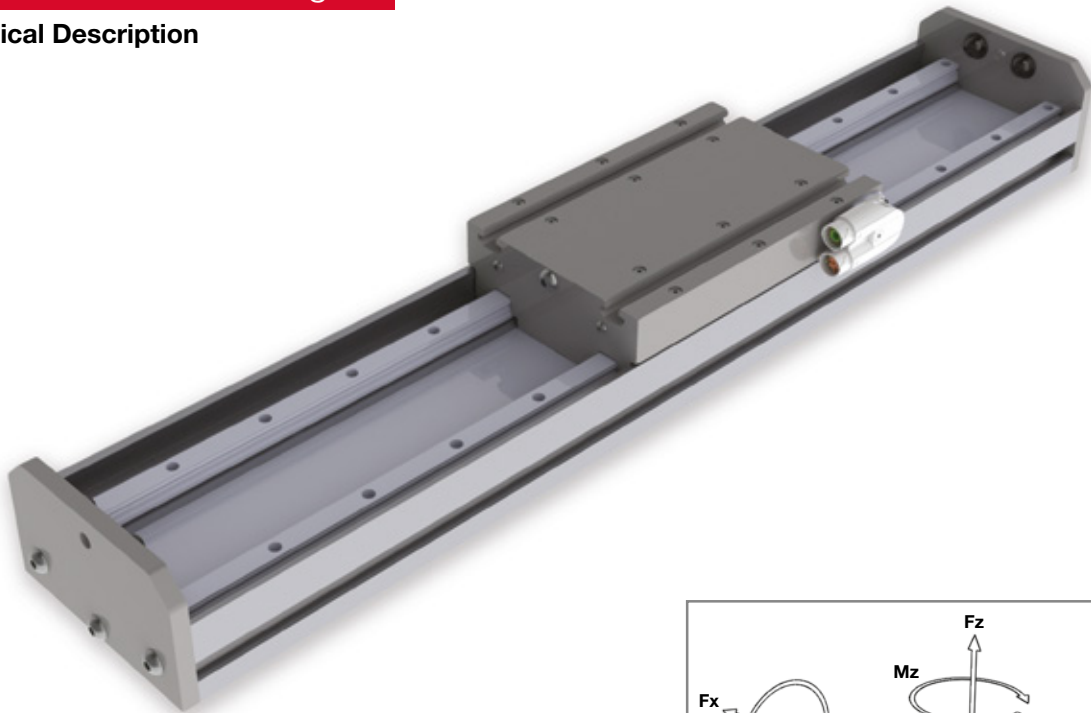
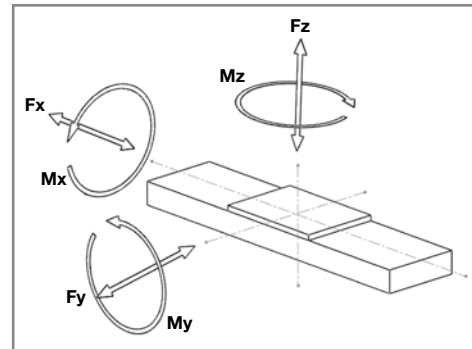


MLL 3 linear motor stages

Technical Description



Repeatability of measuring system: $\pm 30 \mu\text{m}$
 Repeatability linear unit: $\pm 100 \mu\text{m}$
 Maximum speed: 3 m/s
 Maximum acceleration: 86 m/s^2
 Maximum Length without joints: up to 3.600 mm
 Operating voltage: 600Vdc
 Max. Operating voltage: 900Vdc



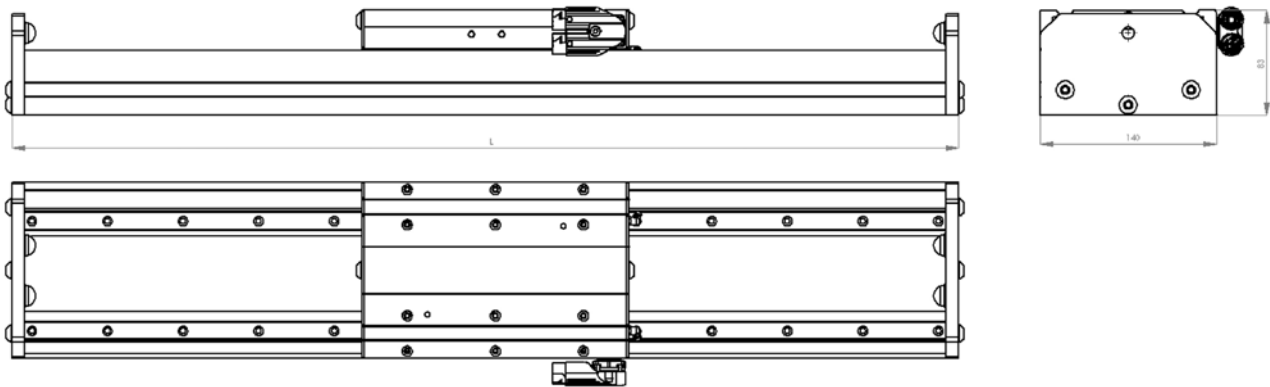
Mechanical specifications

Linear motor stage		MLL 30210	MLL 30420	MLL 30630
Carriage typ		S	S	S
Linear motor features				
Maximum speed ¹⁾	m/s		3	
Continuous force aircooled ²⁾	N	105	210	315
Peak force	N	210	420	630
Nominal current	A	3,0	6,0	4,5
Peak current	A	6,2	12,4	9,2
Guidance features				
Fy	N	1200	1200	1800
Fz	N	600	600	900
Mx	Nm	180	180	200
My	Nm	200	250	300
Mz	Nm	200	250	300
For the sum of all forces and moments:		$\frac{F_{ye}}{F_y} + \frac{F_{ze}}{F_z} + \frac{M_{xe}}{M_x} + \frac{M_{ye}}{M_y} + \frac{M_{ze}}{M_z} < 1$ (Xxe = calculated value) (Xx = max. catalogue value)		
Structure profile features				
Geometrical moments of inertia Lx	mm ⁴	3,72x10 ⁵		
Geometrical moments of inertia Ly	mm ⁴	55,58x10 ⁵		
Elastic module	N/mm ²	70000		
Weight				
Weight of carriage	kg	3,2	4,7	6,2
Weight of 100 mm	kg	1,1		

¹⁾ for a lifetime > 30.000 Km

²⁾ depending on the application and ambient temperature

Dimensions MLL 3



Drawing for reference only. Please ask for ready 3D files.

Choice of stroke

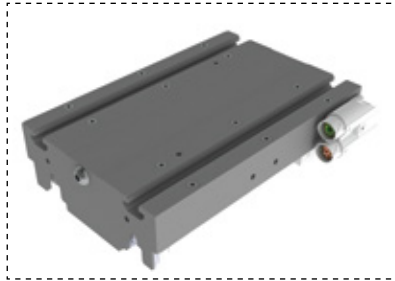
Linear motor stage	MLL 30210	MLL 30420	MLL 30630
Carriage typ	S	S	S
Carriage length C, mm	212	310	406
Length, mm	Code	Stroke ⁽¹⁾	
320	00320	68	-
368	00368	116	18
416	00416	164	66
512	00512	260	162
560	00560	308	210
608	00608	356	258
656	00656	404	306
704	00704	452	354
752	00752	500	402
800	00800	548	450
896	00896	644	546
944	00944	692	594
992	00992	740	642
1040	01040	788	690
1088	01088	836	738
1136	01136	884	786
1184	01184	932	834
1280	01280	1028	930
1328	01328	1076	978
1376	01376	1124	1026
1472	01472	1220	1122
1568	01568	1316	1218
1712	01712	1460	1362
1856	01856	1604	1506
1952	01952	1700	1602
2096	02096	1844	1746
2240	02240	1988	1890
2336	02336	2084	1986
2480	02480	2228	2130
2624	02624	2372	2274
2720	02720	2468	2370
2864	02864	2612	2514
3008	03008	2756	2658
3104	03104	2852	2754
3248	03248	2996	2898
3392	03392	3140	3042
3488	03488	3236	3138
3584	03584	3332	3234

¹⁾ Other stroke lengths are available under request

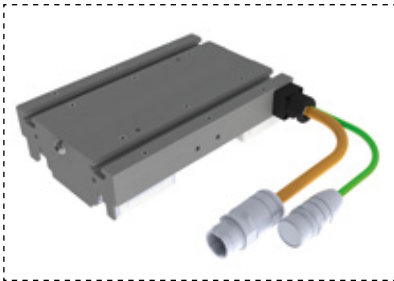
MLL 3 Options

Connector Options

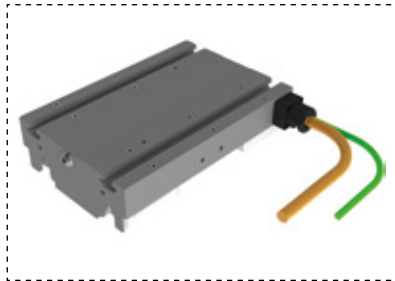
■ angled connectors 90° YTEC (1)



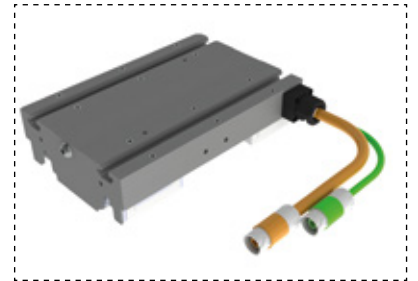
■ cable output with connectors M23 (4)



■ cable output without connectors (5)

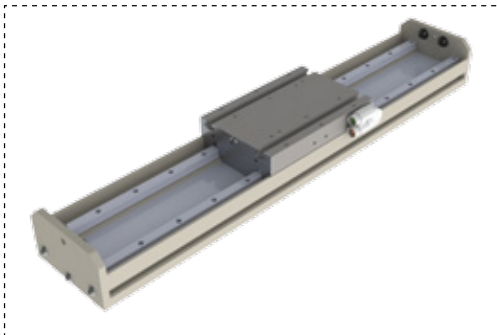


■ cable output with connectors YTEC (6)

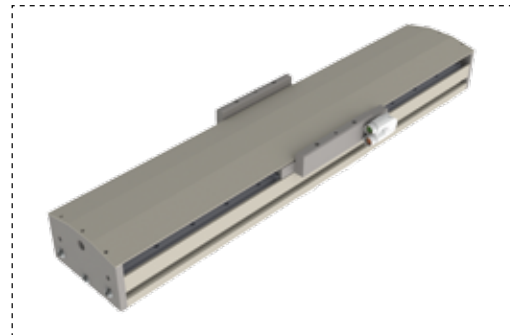


Cover Options

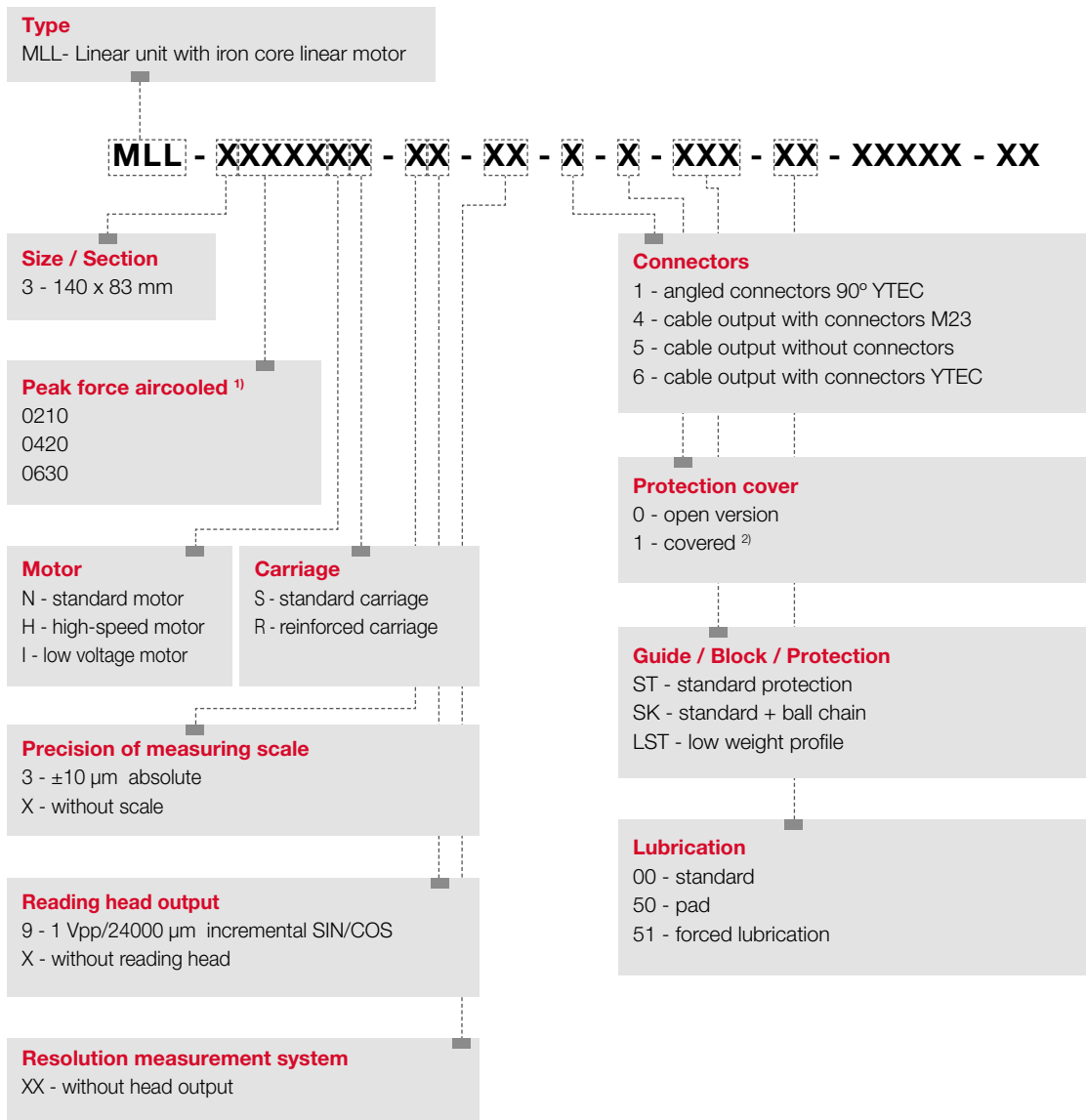
■ without cover (0)



■ with cover (2)



Order Code MLL 3



¹⁾ Depends on application and temperature

²⁾ On request